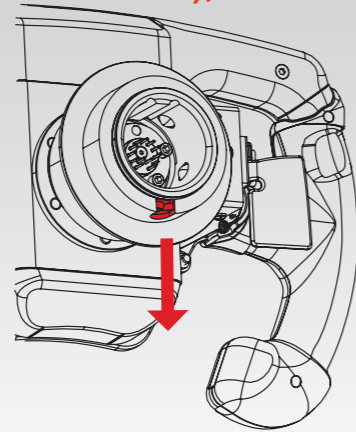


ATTACHING THE STEERING WHEEL

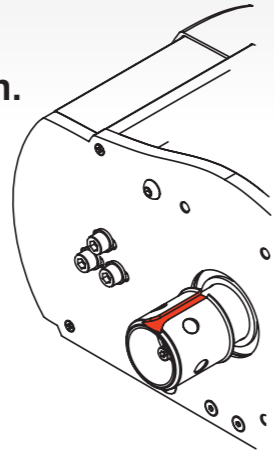


Make sure you installed and operate the wheel base and the F1® steering wheel firmware. You can obtain it from our official website (www.fanatec.com), refer to download section.

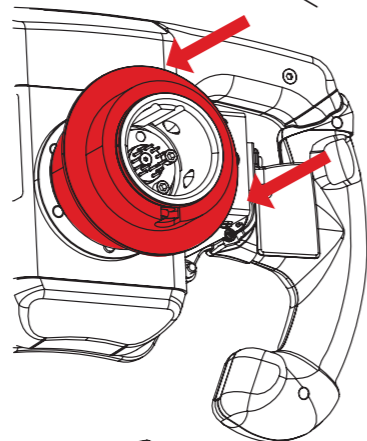
- Remove storage pin.



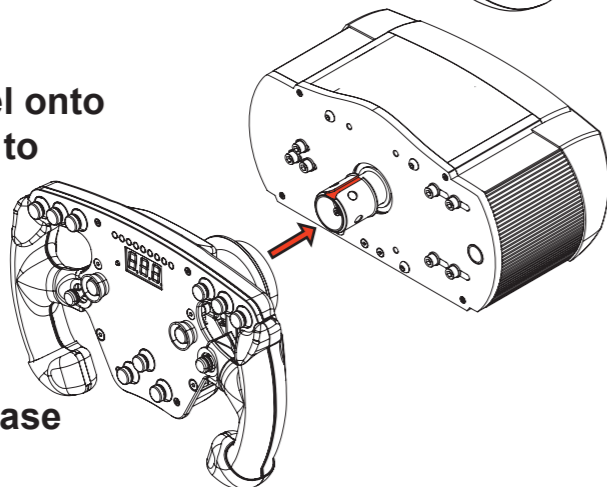
- Align wheel base axle to correct position.



- Press together or “pinch” and hold Quick Release mechanism.



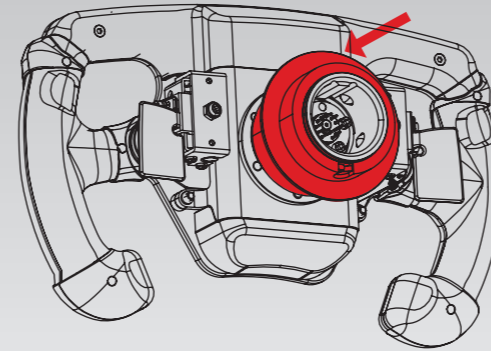
- Slide the steering wheel onto the wheel base axle up to the mechanical limit.



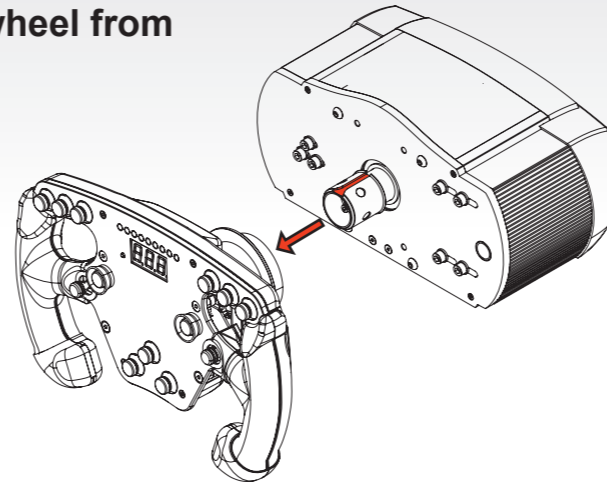
- Release the Quick Release mechanism.

DETACHING THE STEERING WHEEL

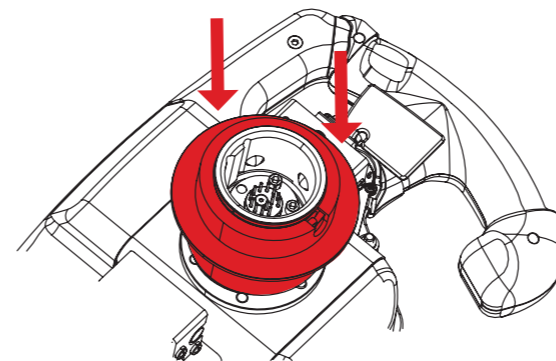
- Compress and hold the Quick Release mechanism.



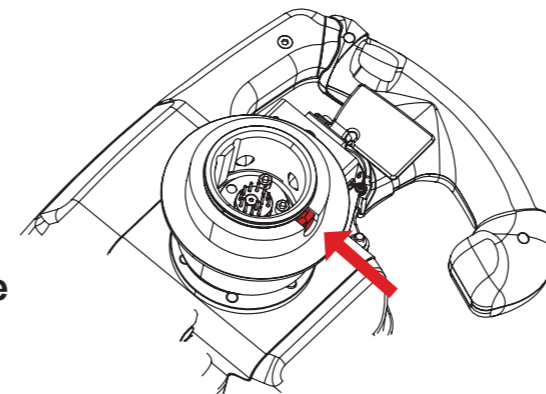
- Pull off the steering wheel from the wheel base axle.



- Press or “pinch” and hold the Quick Release mechanism.



- Insert storage pin.



- Release the Quick Release mechanism.



FANATEC®

ClubSport

Steering Wheel F1® Esports



QuickGuide

Manufactured by

ENDOR®

Fanatec® is a registered trademark of Endor AG
Designed and developed by Endor AG in Germany
Seligenthaler Straße 16 a - 84034 Landshut - Germany
Telephone: +49 (871) 9221-122 Fax: +49 (871) 9221-221
Email: info.webshop@fanatec.com
Website: www.fanatec.com - www.endor.ag

The F1 FORMULA 1 logo, F1 logo, F1, FORMULA 1, FIA FORMULA ONE WORLD CHAMPIONSHIP, GRAND PRIX and related marks are trade marks of Formula One Licensing BV, a Formula 1 company. All rights reserved.

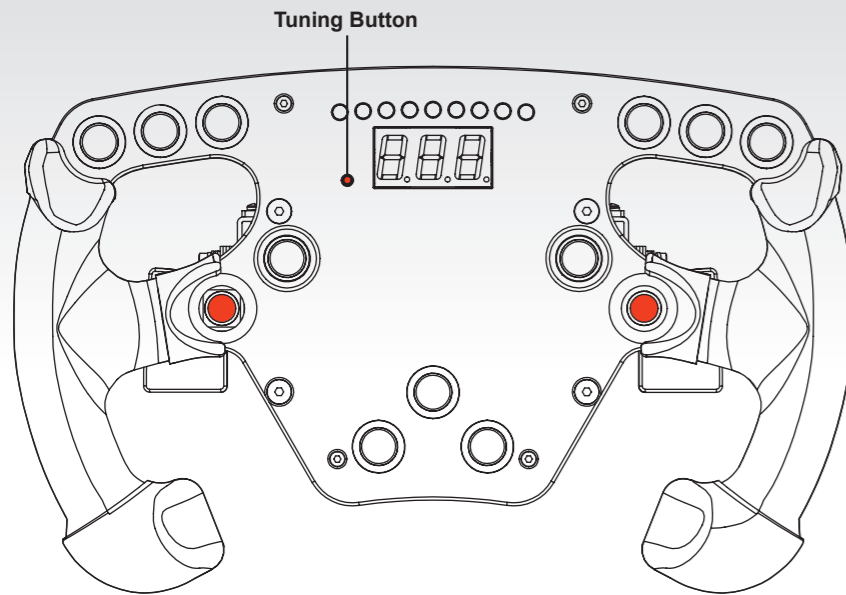


www.fanatec.com

CENTRE CALIBRATION

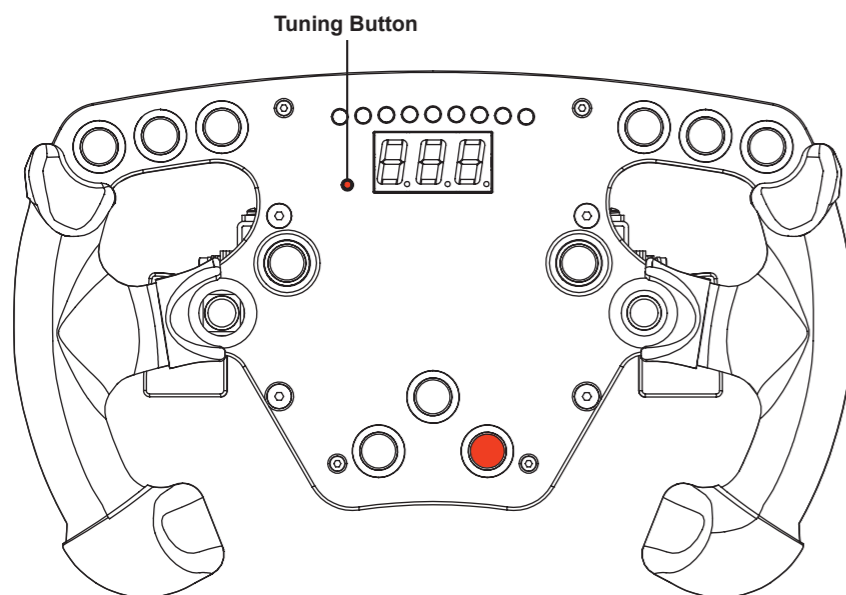
If a centre calibration is needed (e. g. after firmware update of the wheel base) when using the steering wheel you need to press the tuning button as highlighted on the picture below to enter tuning menu.

When tuning menu is active press the analogue stick and the FunkySwitch™ simultaneously to calibrate the wheel centre.



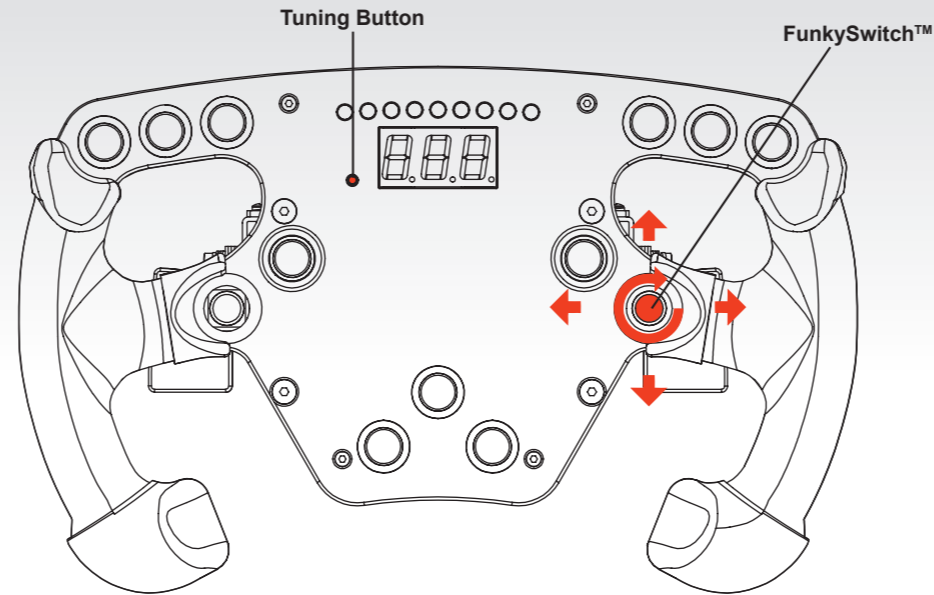
SHIFTER CALIBRATION

To enter shifter calibration mode, simultaneously press the tuning button and the button highlighted below.



TUNING OPTIONS

To enter tuning menu, press tuning button. To navigate inside the menu, use the right FunkySwitch™. Press it up or down to access 5 setups. Press FunkySwitch™ right or left to go through the options and turn the FunkySwitch™ to change option values.

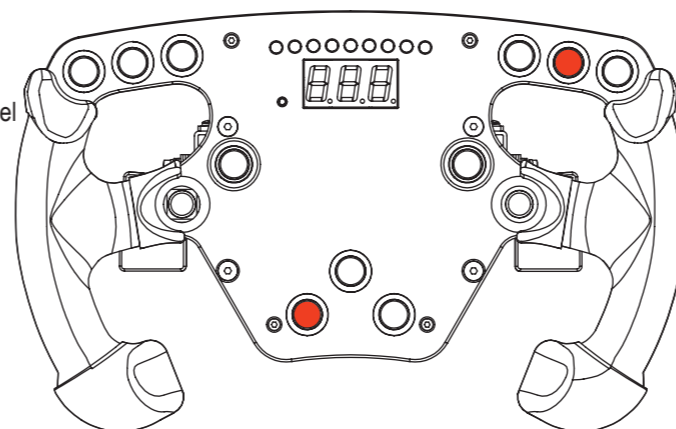


MODES

To switch between modes simultaneously press and hold the two buttons highlighted below, for one second. The wheel base LED indicates the active mode:

- Red means PC mode
- Blue means PS4™ mode*
- Purple means compatibility mode*

* not applicable for every Fanatec wheel base, please check the individual user manuals of your Fanatec wheel base.



BUTTON MAPPING

#	Button no. PC	Function PS4™
1	D-pad left	D-pad left
	D-pad right	D-pad right
	D-pad up	D-pad up
	D-pad down	D-pad down
2	25	Cross
	Joystick	Joystick
3	26	Cross
4	21	PS
5	9	SHARE
6	10	OPTIONS
7	11	R3
8	8	L2
9	12	L3
10	7	R2
11	2	Cross
12	3	Circle
13	4	Triangle
14	1	Square
15	6	L1
	5	R1

