

## MANUAL

For detailed information please download the user manual from [www.fanatec.com/support](http://www.fanatec.com/support). This is just a QuickGuide and you will miss a lot of features if you don't read the user manual.

This product is under warranty of Endor AG, Seligenthaler Straße 16a, 84034 Landshut, Germany, Telephone: +49 (871) 9221-122, Fax: +49 (871) 9221-221, Email: [info.webshop@fanatec.com](mailto:info.webshop@fanatec.com).

Refer to the chapter 'warranty' of the user manual as well as the terms & conditions of Endor AG on [www.fanatec.com/terms-and-conditions.html](http://www.fanatec.com/terms-and-conditions.html).

## ECOLOGY ADVICE

In the European Union: At the end of its working life, this product should not be disposed of with standard household waste, but rather dropped off at a collection point for the disposal of Waste Electrical and Electronic Equipment (WEEE) for recycling.



Depending on their characteristics, the materials may be recycled. Through recycling and other forms of processing Waste Electrical and Electronic Equipment, you can make a significant contribution towards helping to protect the environment.

Please contact your local authorities for information on the collection point nearest you.

For all other countries: Please adhere to local recycling laws for electrical and electronic equipment.

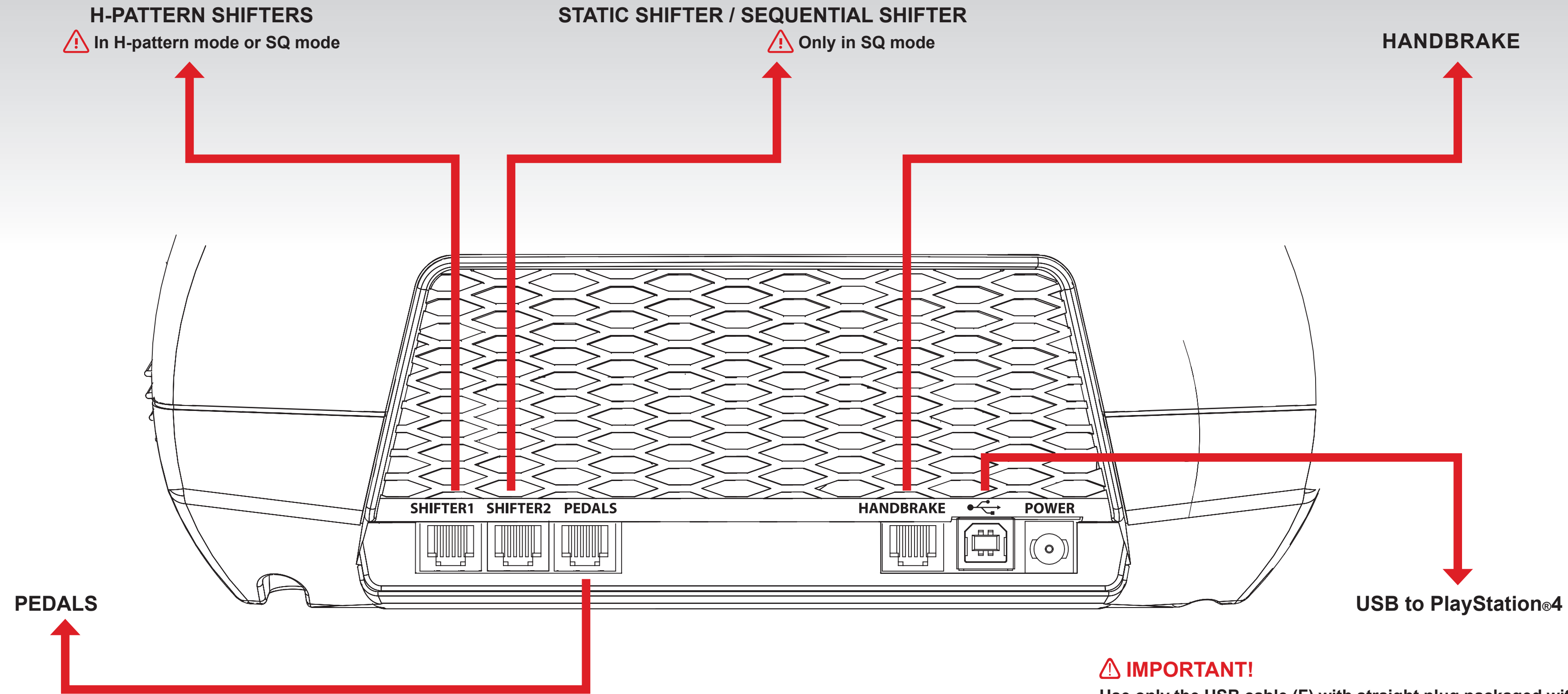
Retain this information. Colors and decorations may vary.

In the European Union: The packaging materials can be depolluted for recycling according to the legal regulations depending on the country responsible for the corresponding law.



For all other countries: Please adhere to local recycling laws for packaging materials.

## CONNECTIONS



### ⚠ IMPORTANT!

Use only the USB cable (F) with straight plug packaged with the CSL Elite Wheel Base for PlayStation®4 to avoid damage to the USB port.

FANATEC®

CSL Elite Wheel Base +



QuickGuide

EN

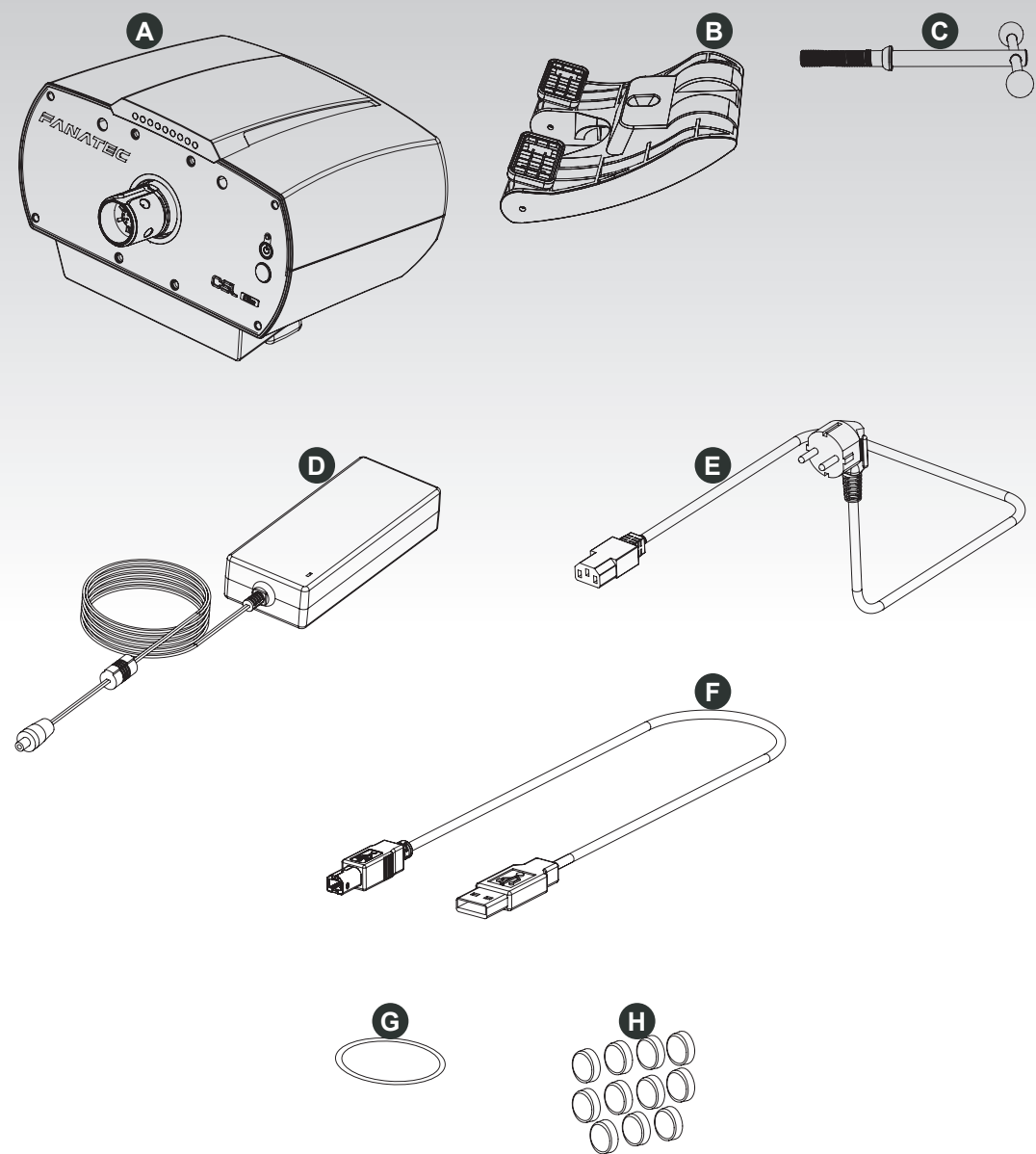


“PS”, “PlayStation”, “PS4” and “△×□○” are registered trademarks of Sony Interactive Entertainment Inc. All rights reserved.  
All other trademarks are the property of their respective owners.



[www.fanatec.com](http://www.fanatec.com)

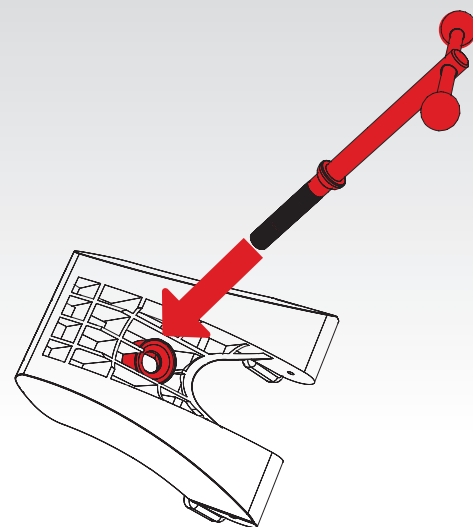
## CONTENTS



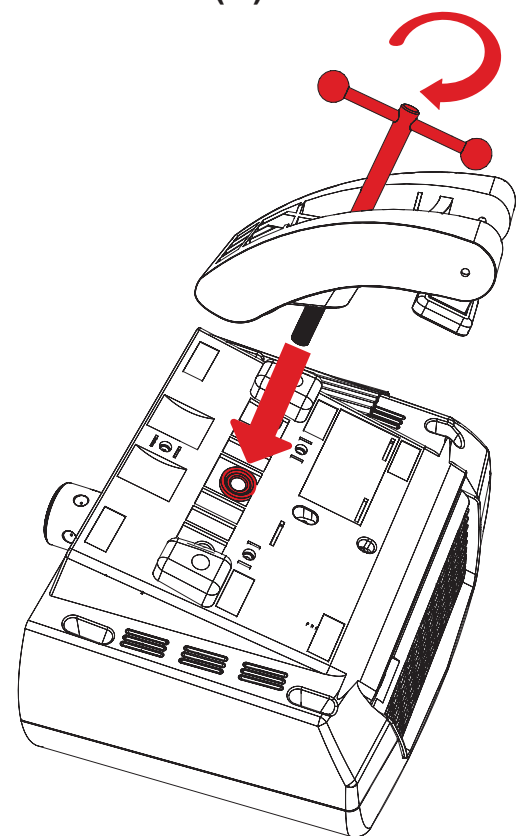
- CSL Elite Wheel Base + (PS4™ version) (A)
- Table clamp (B)
- Table clamp screw with handle (C)
- Power supply unit (D)
- Power cord (regional) (E)
- USB connection cable (F)
- O-Ring (G)
- PS4™ button caps for ClubSport steering wheels (H)  
(ClubSport steering wheels sold separately)

## TABLE CLAMP

**1**  
Insert the table clamp screw with handles (C) into the table clamp (B).

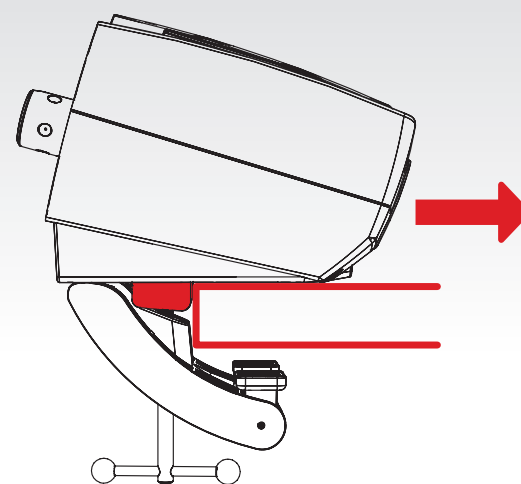


**2**  
Turn the table clamp screw (C) into the bottom centre of the CSL Elite Wheel Base + (A).

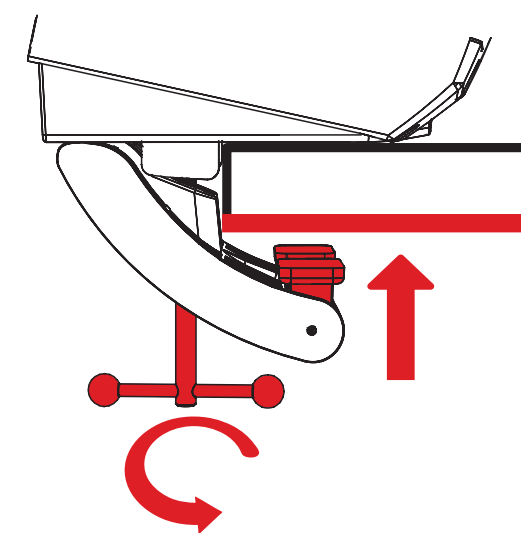


**3**  
Slide the CSL Elite Wheel Base + (A) onto the table top until the limiter blocks stop sliding at the edge of the table.

**NOTE:** Table clamp (B) has to be below table top.

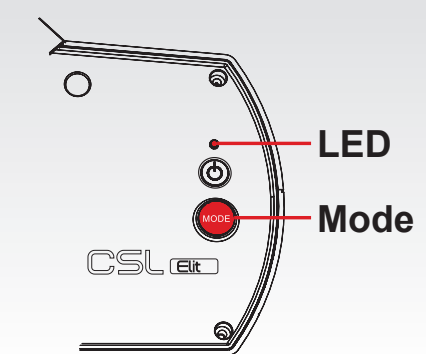


**4**  
Tighten the table clamp (B) by turning the table clamp screw (C). Ensure that the table clamp's feet remain well aligned with the bottom of the table plate.



## MODES

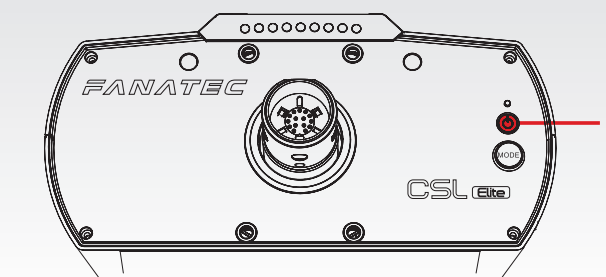
The CSL Elite Wheel Base + (A) will start in “PlayStation®4 Mode” by default. To switch to other modes press the “Mode” button once. The LED above the “Mode” button will indicate the current operation mode:



- Blue indicates “PlayStation®4 mode”
- Red indicates “PC mode”
- Purple indicates “ClubSport Wheel Base V2 Compatibility Mode”

## ON AND OFF

To turn on the CSL Elite Wheel Base + (A), connect it to power and press the “Mode” button on the right side of the CSL Elite Wheel Base + (A) for about one second.  
To turn off the CSL Elite Wheel Base + (A), press and hold the “Mode” button for 5 seconds.



**NOTE:** Only use the power supply (D) and power cord (E) included with this product.

## ATTENTION

When starting up the CSL Elite Wheel Base + (A) for the first time please update the firmware, which can be obtained from [www.fanatec.com/downloads](http://www.fanatec.com/downloads). Follow the instructions provided in the user manual.  
Compatibility with PlayStation®4 games on a case by case basis. For a full list of compatible games, please visit [www.fanatec.com](http://www.fanatec.com).

Manufactured by  
**ENDOR®**  
Fanatec® is a registered trademark of Endor AG  
Designed and developed by Endor AG in Germany  
Seligenthaler Straße 16 a - 84034 Landshut - Germany  
Telephone: +49 (871) 9221-122 Fax: +49 (871) 9221-221  
Email: [info.webshop@fanatec.com](mailto:info.webshop@fanatec.com)  
Website: [www.fanatec.com](http://www.fanatec.com) - [www.endor.ag](http://www.endor.ag)  
Licensed for sale in Europe and Australia and for use exclusively with PlayStation®4.