

## MANUAL

For detailed information please download the user manual from [www.fanatec.com/support](http://www.fanatec.com/support). This is just a QuickGuide and you will miss a lot of features if you don't read the user manual.

This product is under warranty of Endor AG, Seligenthaler Straße 16a, 84034 Landshut, Germany, US/CAN Support Telephone: +1 (424) 343-8129, Email: [info.webshop@fanatec.com](mailto:info.webshop@fanatec.com).

Refer to the chapter 'warranty' of the user manual as well as the terms & conditions of Endor AG on <https://www.fanatec.com/us-en/terms-and-conditions-us.html>.

Please send Fanatec product returns to this address:

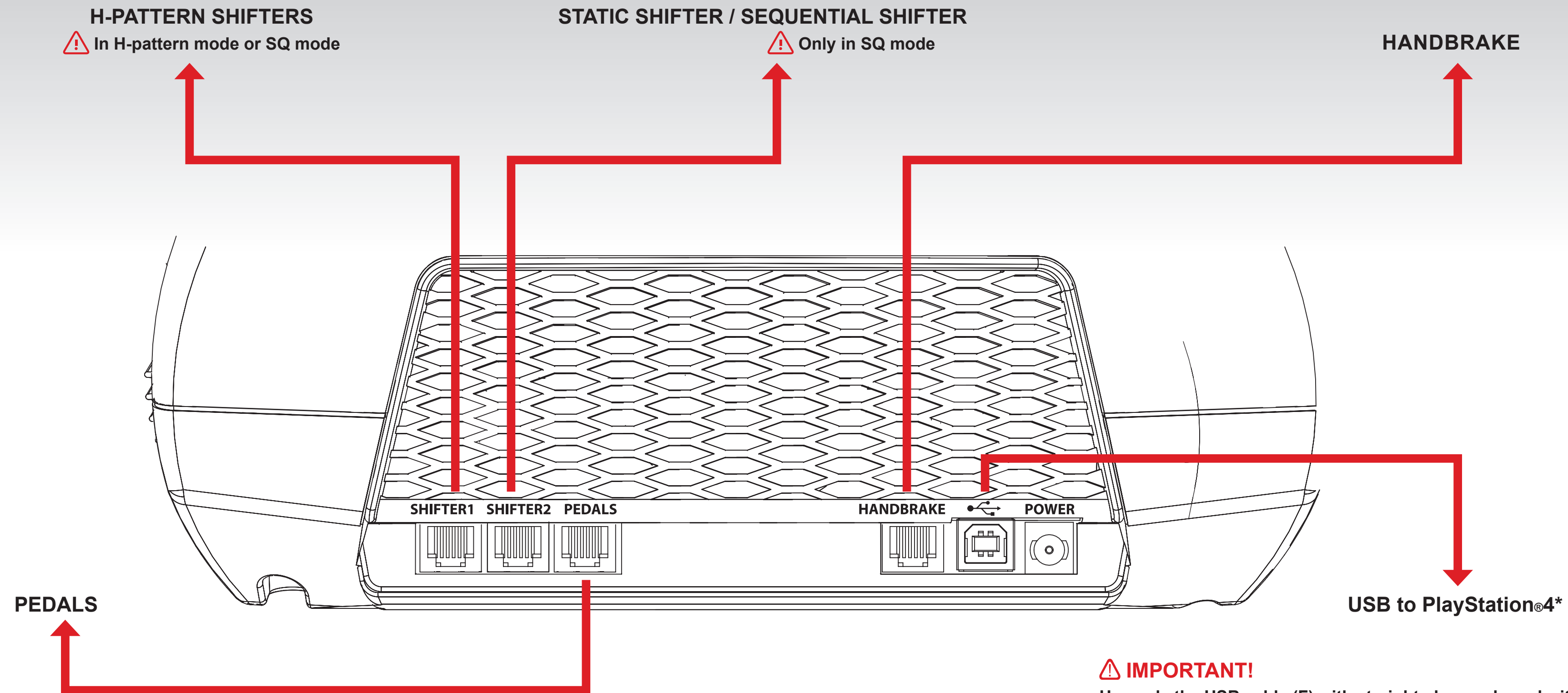
Fanatec Service Center  
c/o Ronay McClay  
14221 Artesia Blvd  
La Mirada, CA 90638  
USA

## COMPATIBLE STEERING WHEELS (OPTIONAL)

- ClubSport Formula Carbon
- ClubSport Formula Black
- ClubSport BMW M3 GT2
- ClubSport Porsche 918 RSR

Steering Wheels can be obtained from <https://www.fanatec.com/us-en/>.

## CONNECTIONS



### IMPORTANT!

Use only the USB cable (F) with straight plug packaged with the CSL Elite Wheel Base for PlayStation®4 to avoid damage to the USB port.

\* also to PC

PC compatibility not tested nor endorsed by Sony Interactive Entertainment LLC.

## CSL Elite Wheel Base +



## QuickGuide

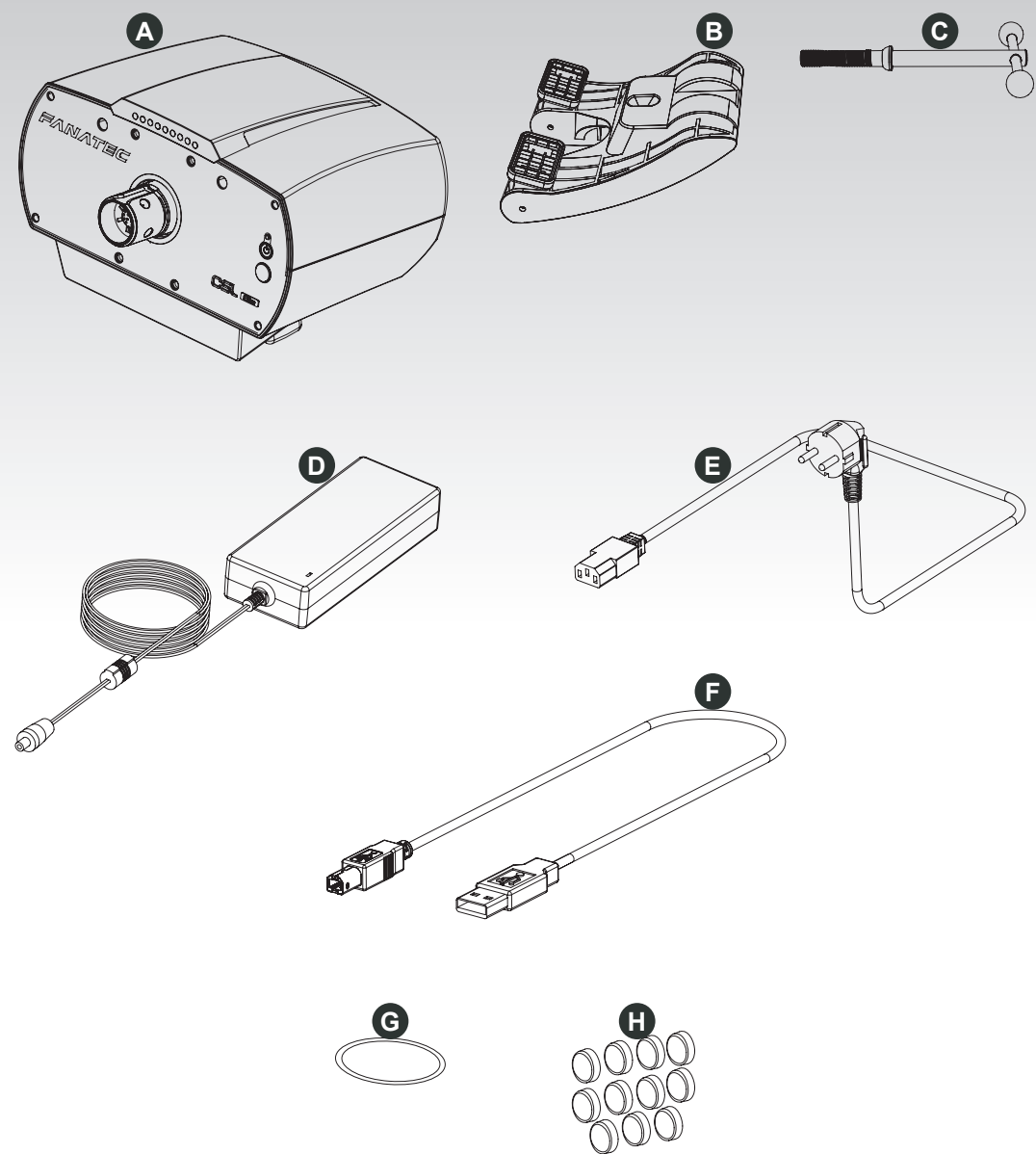
US



"PlayStation" and the "PS" Family logo are registered trademarks of Sony Interactive Entertainment Inc.



## CONTENTS

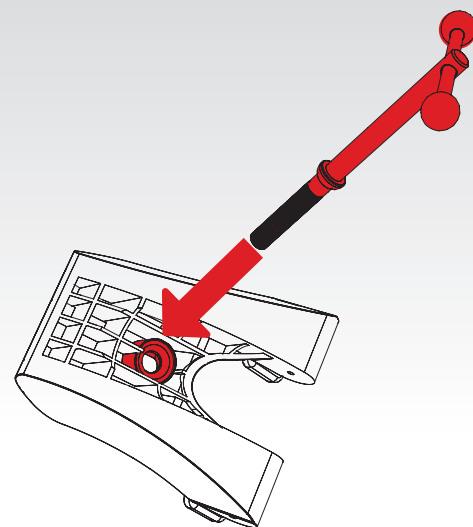


- CSL Elite Wheel Base (PS4™ version) (A)
- Table clamp (B)
- Table clamp screw with handle (C)
- Power supply unit (D)
- Power cord (regional) (E)
- USB connection cable (F)
- O-Ring (G)
- PS4™ button caps for (optional) ClubSport steering wheels (H)

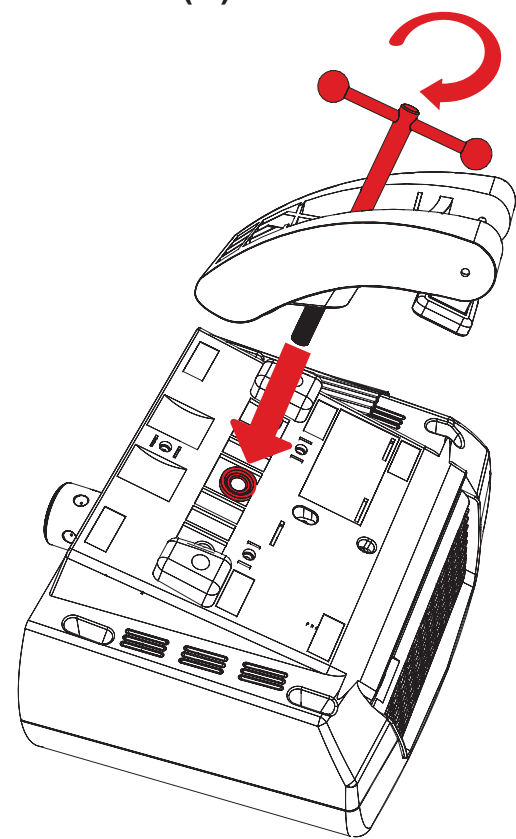
1

## TABLE CLAMP

**1**  
Insert the table clamp screw with handles (C) into the table clamp (B).



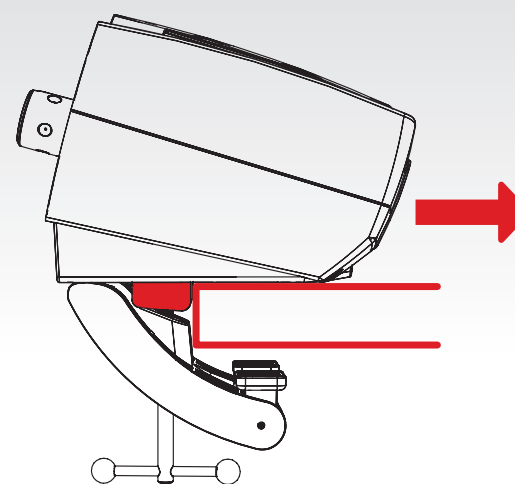
**2**  
Turn the table clamp screw (C) into the bottom center of the CSL Elite Wheel Base (A).



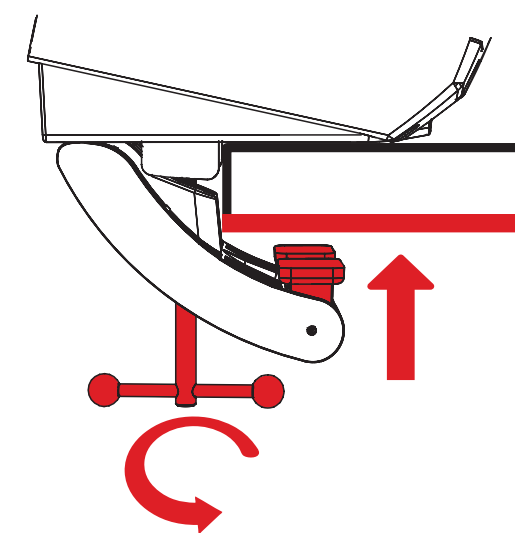
2

**3**  
Slide the CSL Elite Wheel Base (A) onto the table top until the limiter blocks stop sliding at the edge of the table.

**NOTE:** Table clamp (B) has to be below table top.



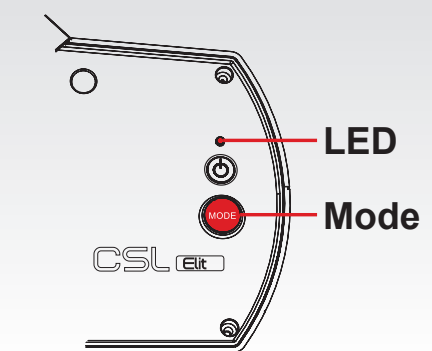
**4**  
Tighten the table clamp (B) by turning the table clamp screw (C). Ensure that the table clamp's feet remain well aligned with the bottom of the table plate.



3

## MODES

The CSL Elite Wheel Base (A) will start in “PlayStation®4 Mode” by default. To switch to other modes press the ‘Mode’ button once. The LED above the “⏻” button will indicate the current operation mode:



- Blue indicates “PlayStation®4 mode”
- Red indicates “PC mode”\*
- Purple indicates “ClubSport Wheel Base V2 Compatibility Mode”

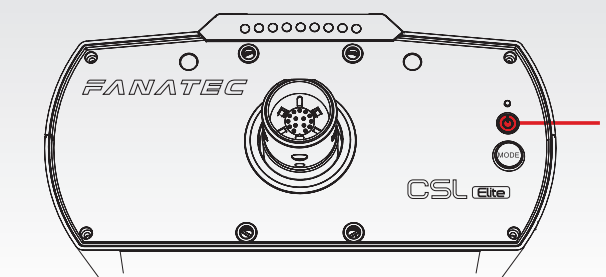
\* PC compatibility not tested nor endorsed by Sony Interactive Entertainment LLC.

4

## ON AND OFF

To turn on the CSL Elite Wheel Base (A), connect it to power and press the “⏻” button for about one second, on the right side of the CSL Elite Wheel Base (A).

To turn off the CSL Elite Wheel Base (A), press and hold the “⏻” button for 5 seconds.



**NOTE:** Only use the power supply (D) and power cord (E) included with this product.

## ATTENTION

The CSL Elite Wheel Base + comes fully functional out-of-box but we recommend to update the firmware. This requires a PC for the update procedure and an internet connection to download the latest driver and firmware from [www.fanatec.com/downloads](http://www.fanatec.com/downloads). Follow the user manual instructions.

Compatibility to PlayStation®4 games is a case-by-case basis. Compatible titles are listed on

<https://www.fanatec.com/us-en/support/faq/details&id=103>.

Manufactured by  
**ENDOR**  
 Fanatec® is a registered trademark of Endor AG  
 Designed and developed by Endor AG in Germany  
 Seligenthaler Straße 16 a - 84034 Landshut - Germany  
 US/CAN Telephone: +1 (866) 292-6226  
 Email: info.webshop@fanatec.com  
 Internet: www.fanatec.com - www.endor.ag  
 Manufactured & distributed under license by Sony Interactive Entertainment LLC.

5