

FANATEC®

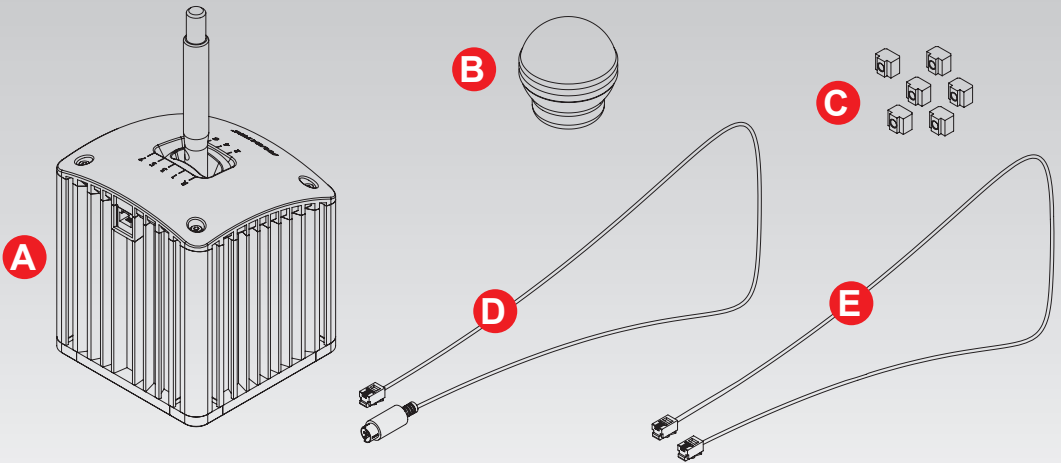
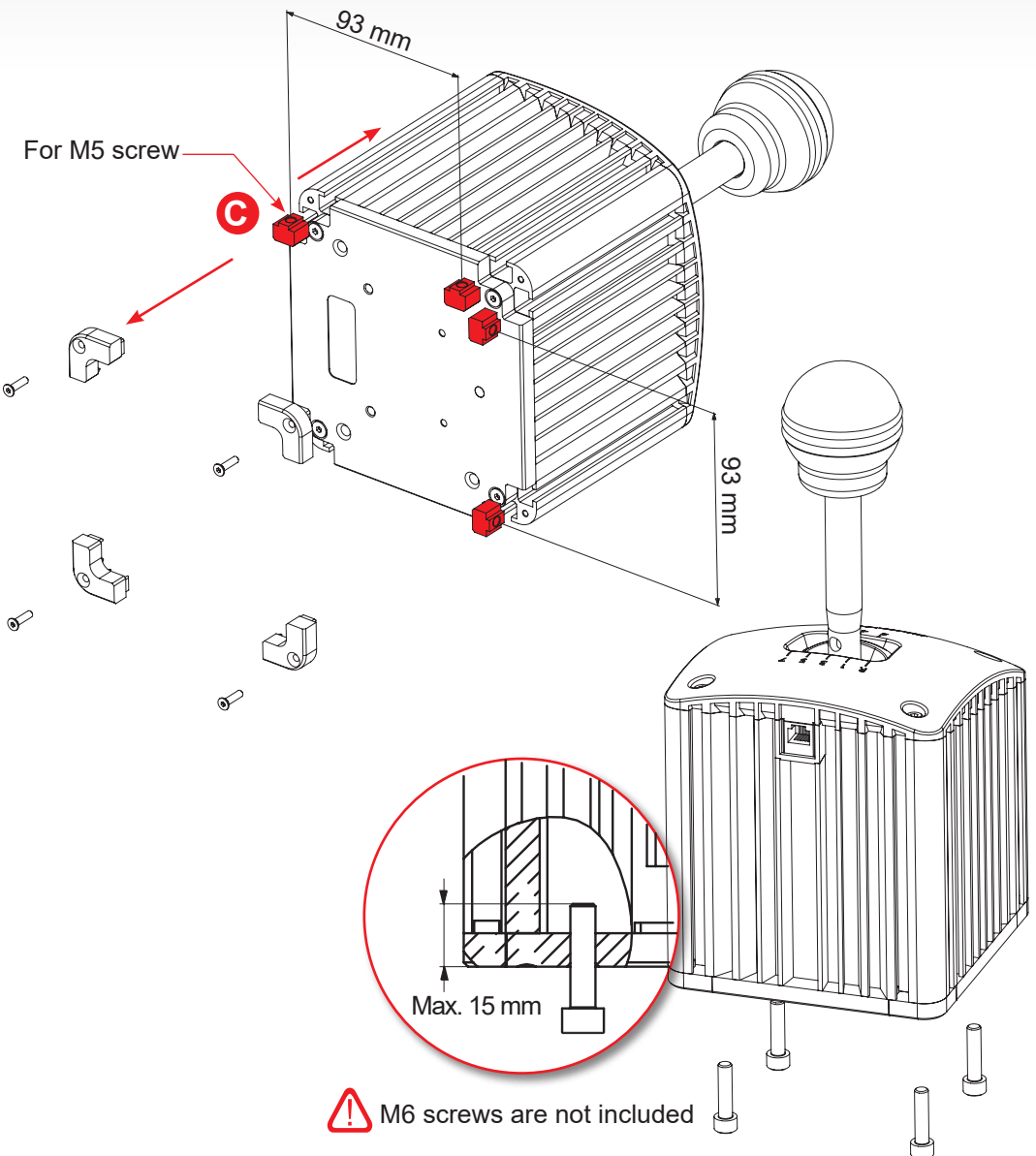
ClubSport **SHIFTER**



QuickGuide

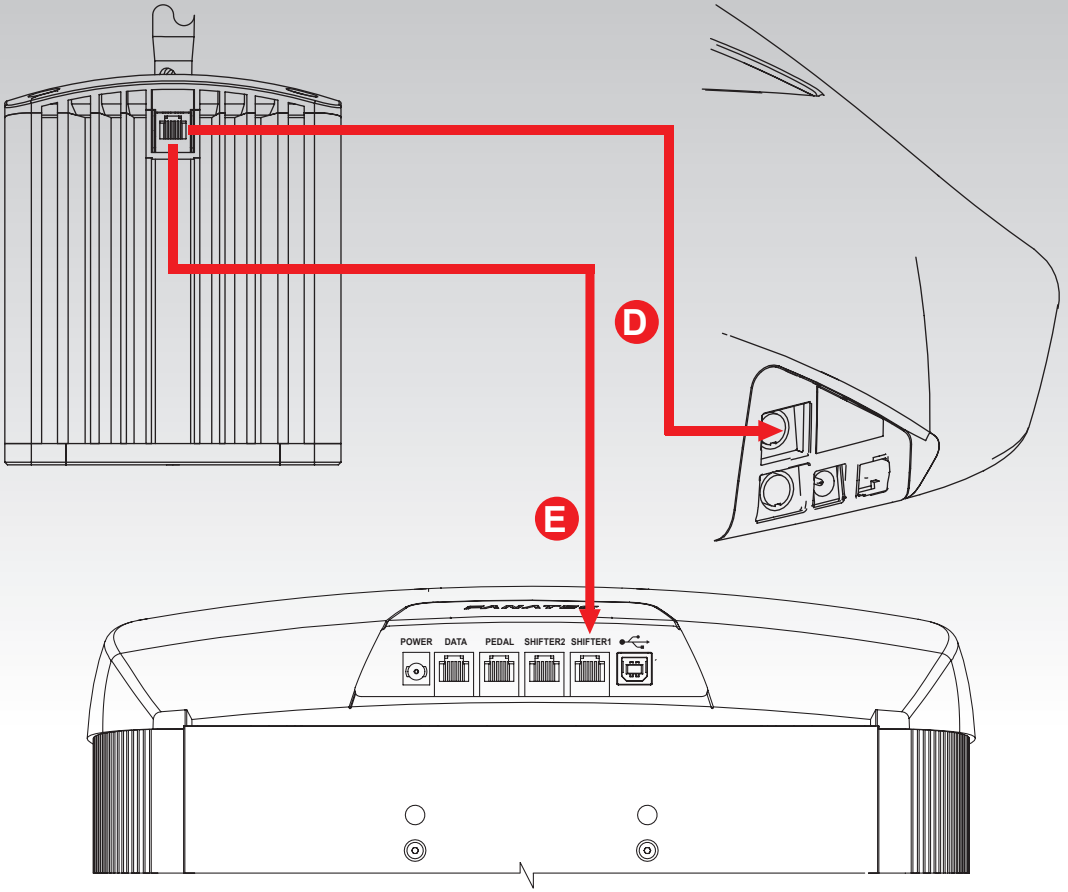


www.fanatec.com

1**PACKAGE CONTENT****2****MOUNTING**

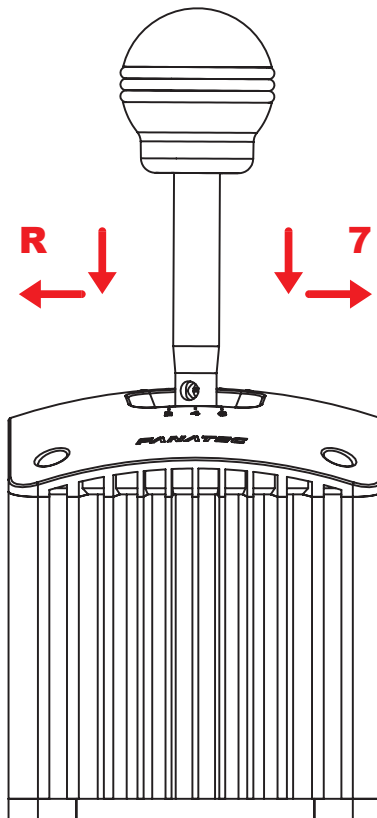
3

CONNECTION



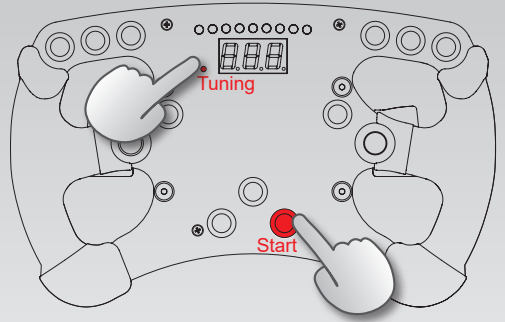
4

R AND 7th GEAR



5

CALIBRATION



1

2

3

4

5

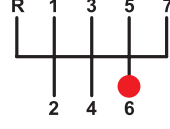
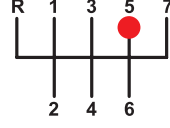
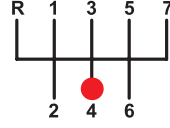
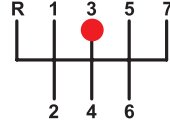
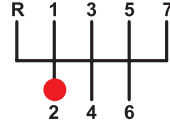
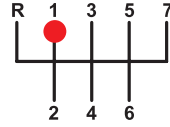
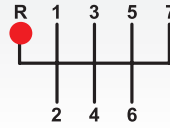
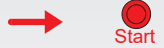
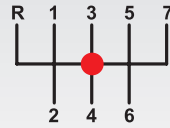
6

7

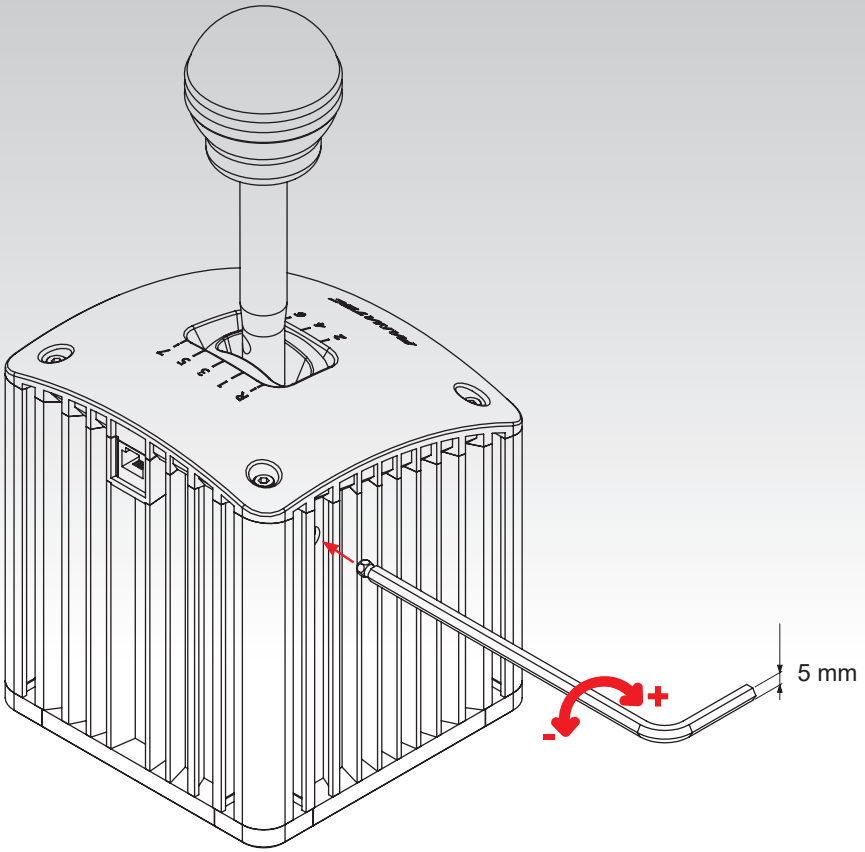
8

9

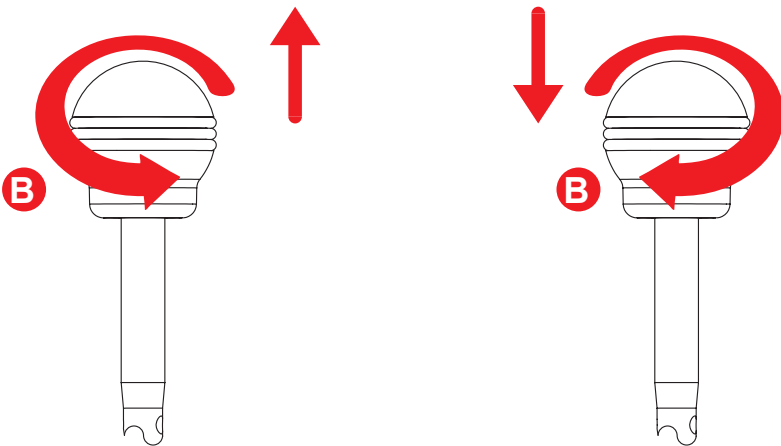
10



6 ADJUST SHIFT RESISTANCE



7 CHANGE THE KNOB





Fanatec® is a registered trademark of Endor AG
Designed and developed by Endor AG in Germany