

FANATEC®

ClubSport

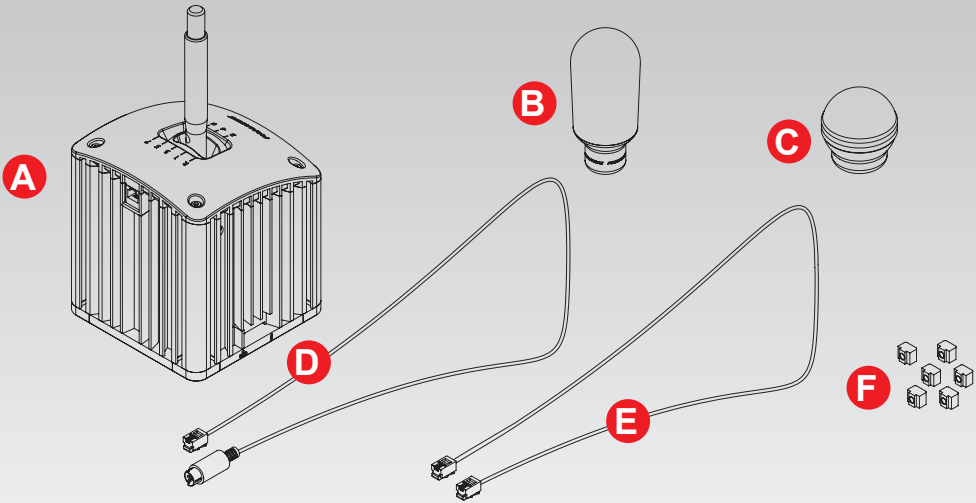
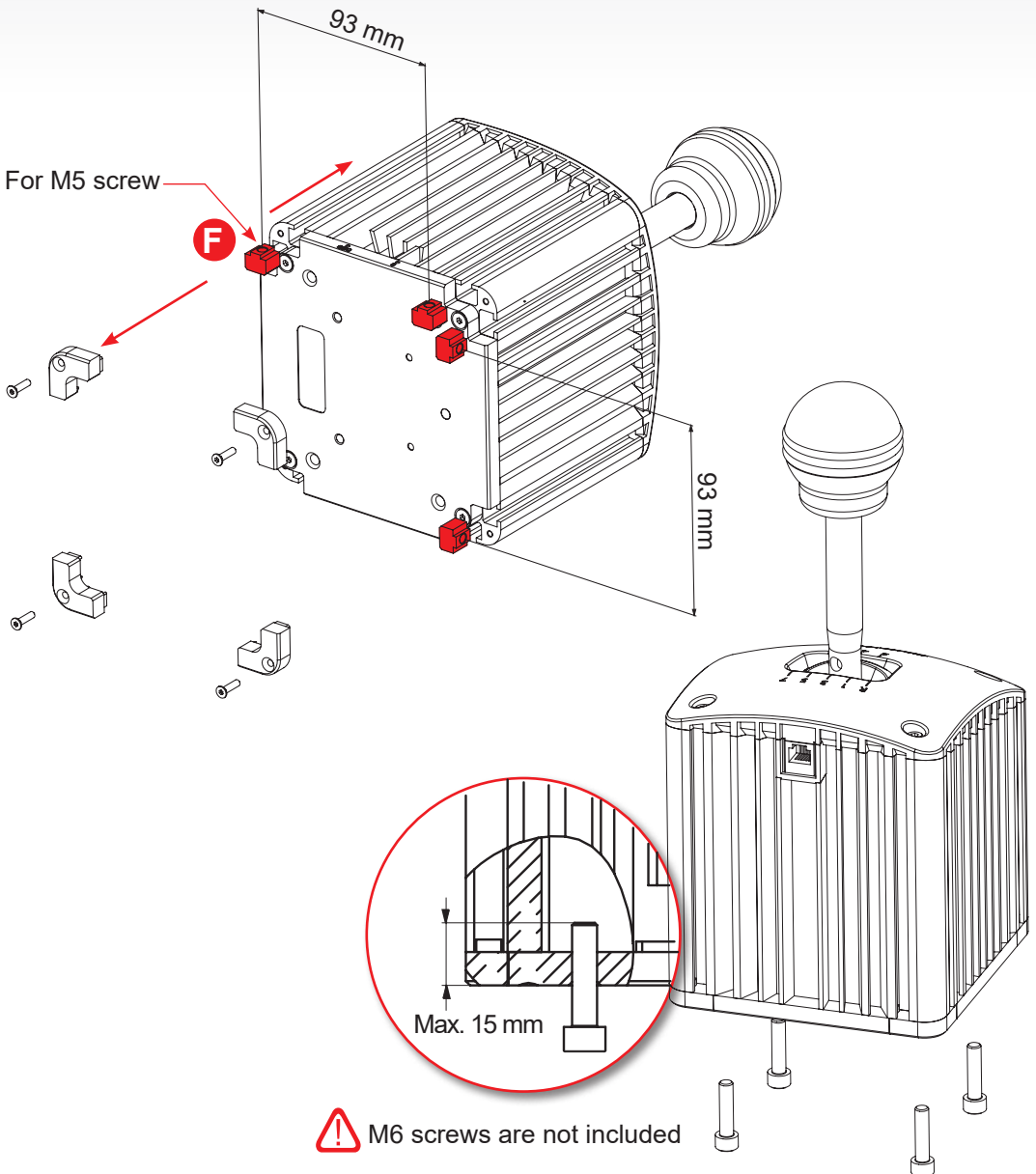
SHIFTER SQ



QuickGuide

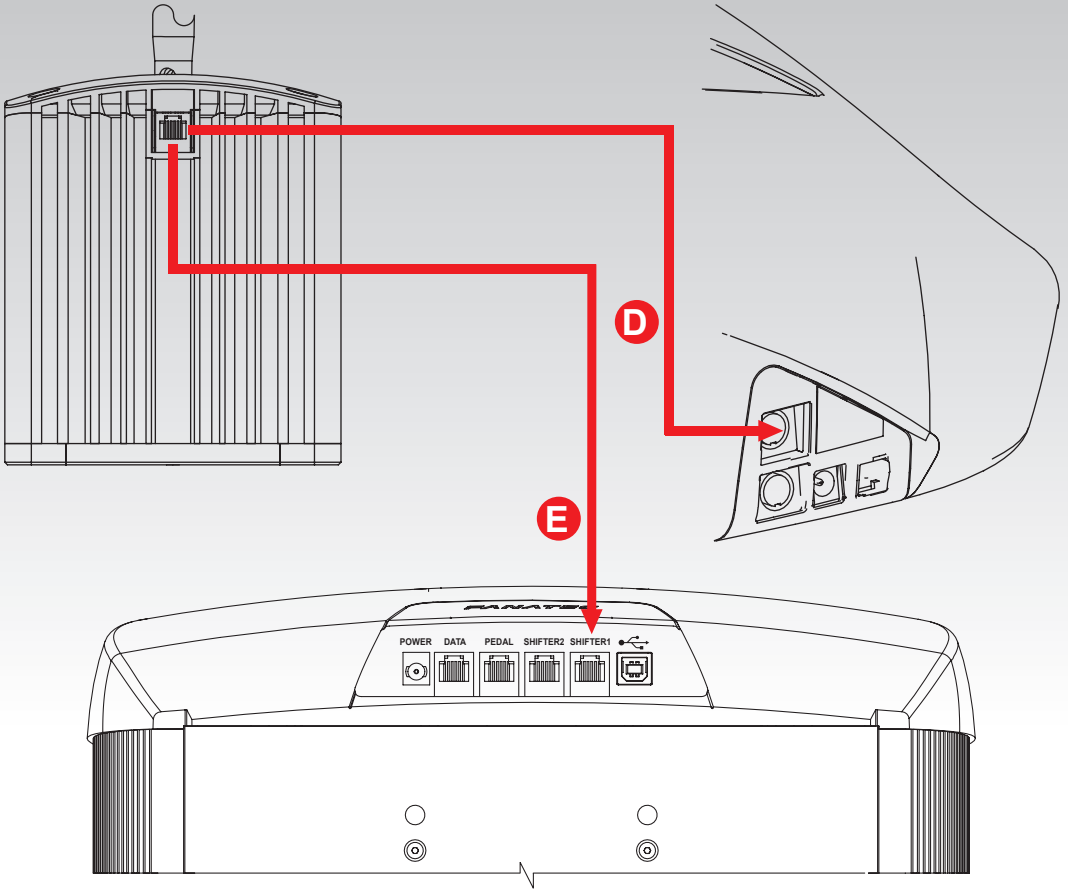


www.fanatec.com

1**PACKAGE CONTENT****2****MOUNTING**

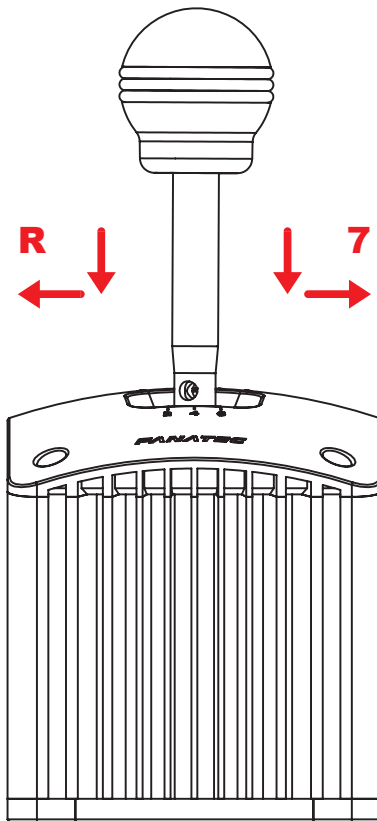
3

CONNECTION



4

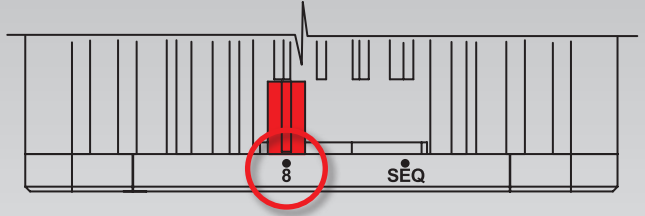
R AND 7th GEAR



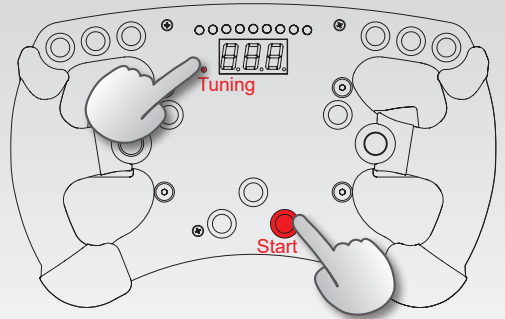
5

CALIBRATION

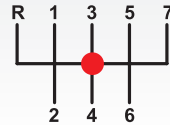
1



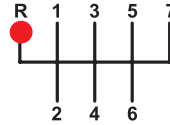
2



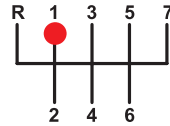
3



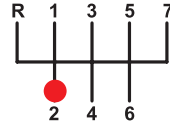
4



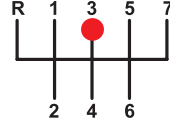
5



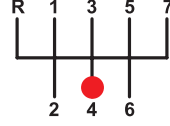
6



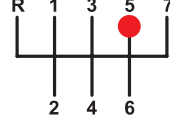
7



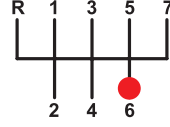
8



9



10

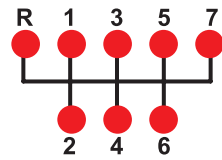
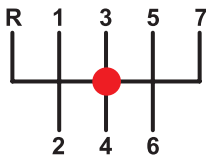
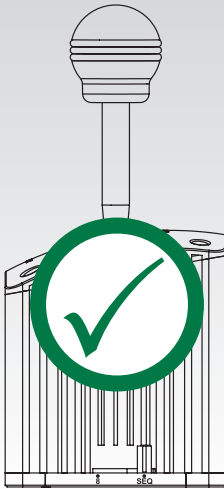


11



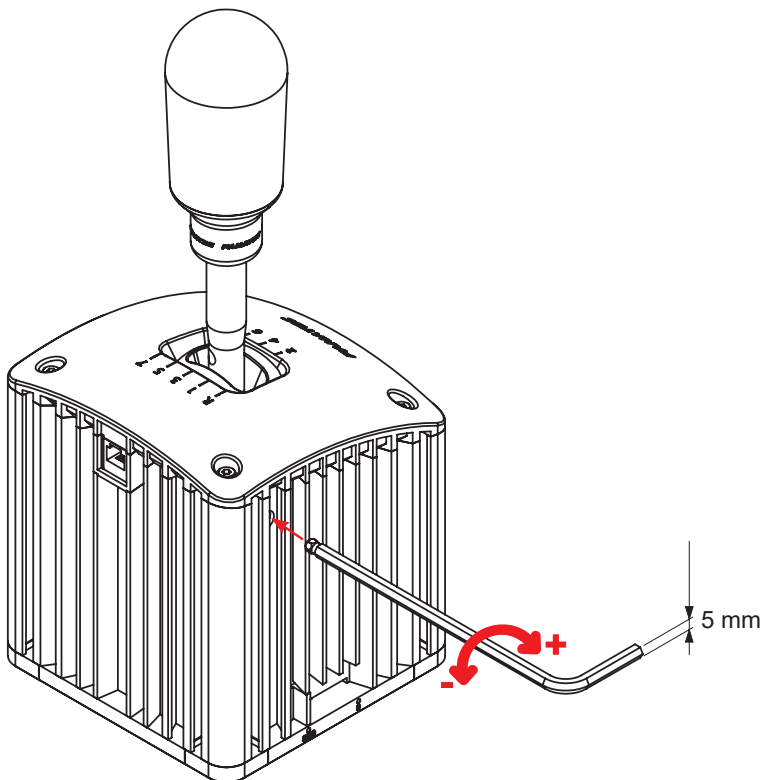
6

MODE CHANGE



7

ADJUST SHIFT RESISTANCE



8

CHANGE THE KNOB

