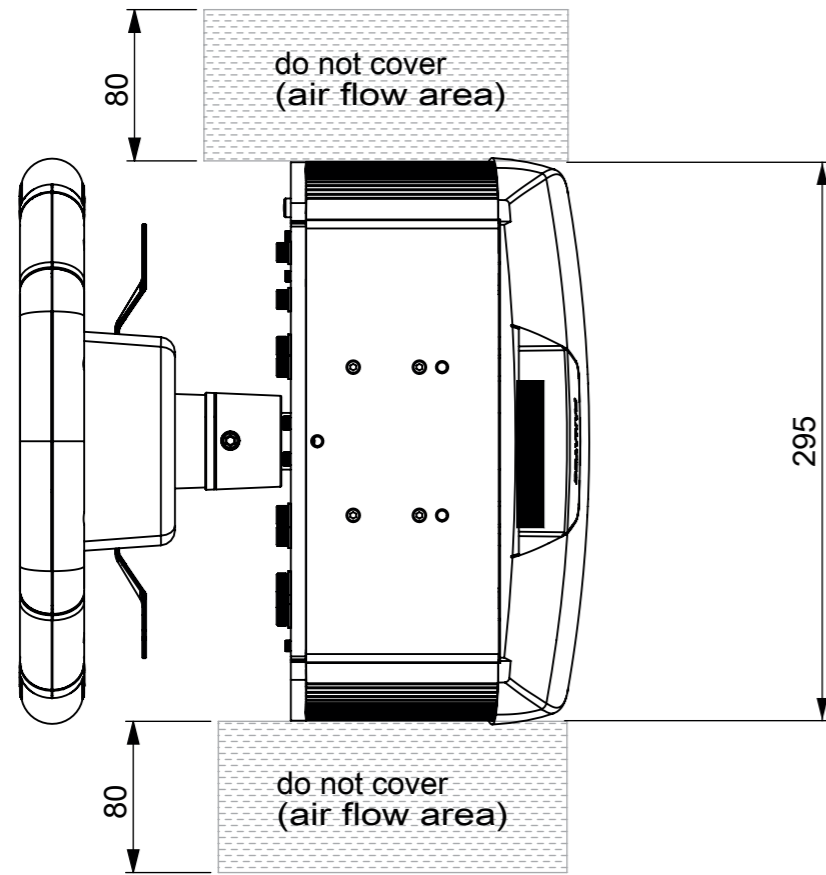


When printing the Drilling Template at home, please make sure that the print size is 100% (file size = print size). Therefore deactivate "automatic page scaling" in the print dialog for example.

bottom view



right side view

