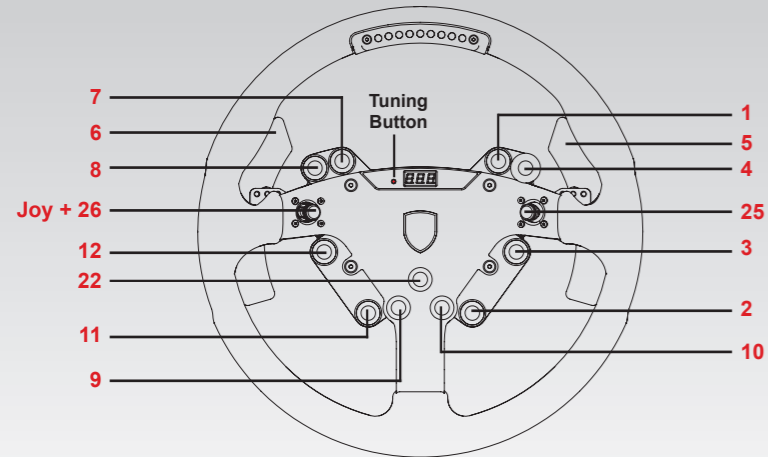
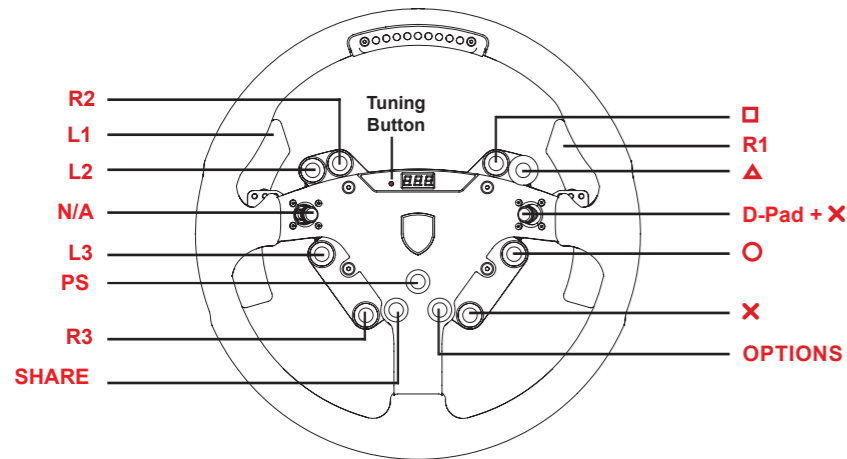


**PC MODE / CSW V2
COMPATIBILITY MODE**



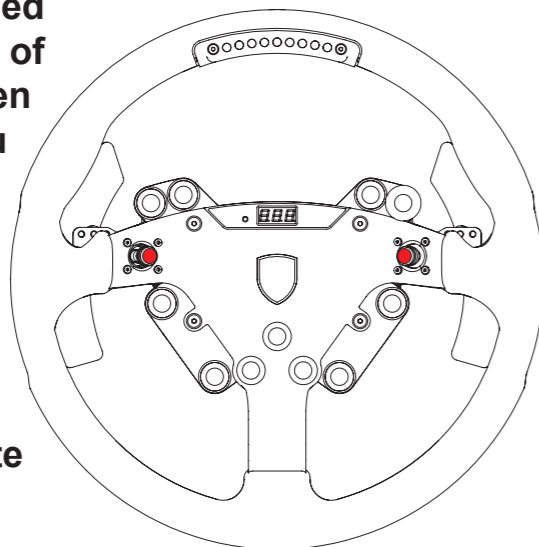
PS4 MODE

NOTE: PS4 mode is only available on wheel bases officially licensed for PlayStation®4.



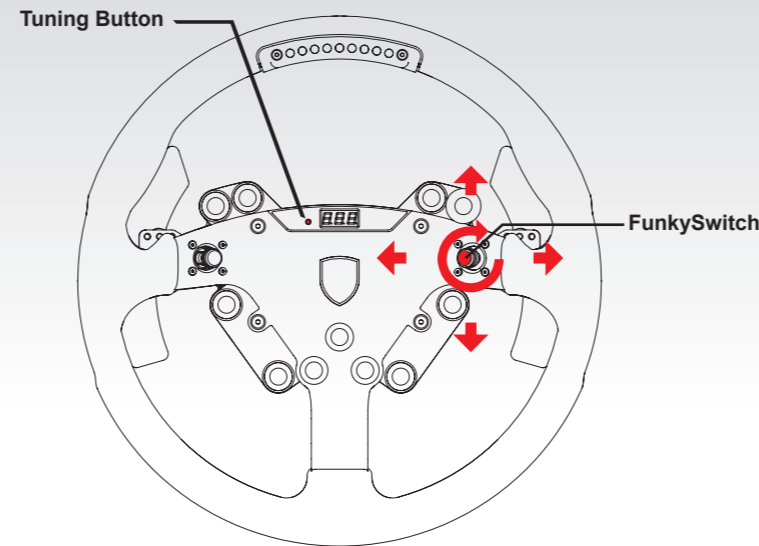
CENTER CALIBRATION

If a center calibration is needed (e. g. after firmware update of ClubSport Wheel Base) when using the steering wheel you need to enter the tuning button as shown on the graphic. When tuning menu is active then press the analogue Stick and the FunkySwitch at the same time to calibrate the wheel center.



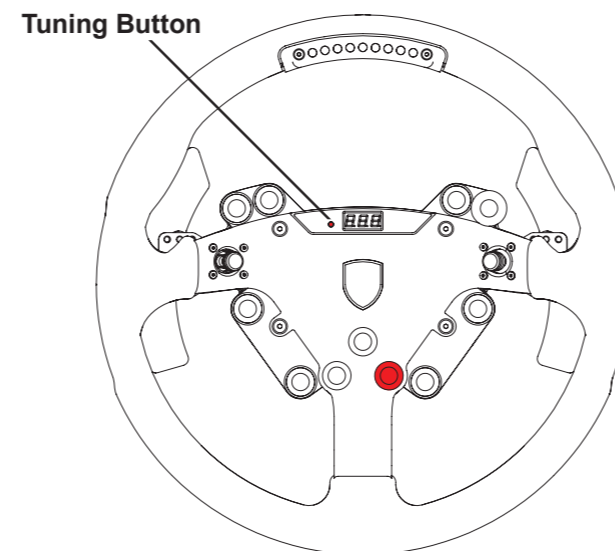
TUNING OPTIONS

To enter Tuning Menu, press Tuning button.
To navigate inside the menu, use the right FunkySwitch. Press it up or down to access 5 setups. Press the FunkySwitch, right or left, to go through the options and turn the FunkySwitch to change option values.



SHIFTER CALIBRATION

To enter shifter calibration mode, simultaneously press the Tuning Menu Button and the button highlighted below.



**ClubSport
Porsche 918 RSR**



QuickGuide

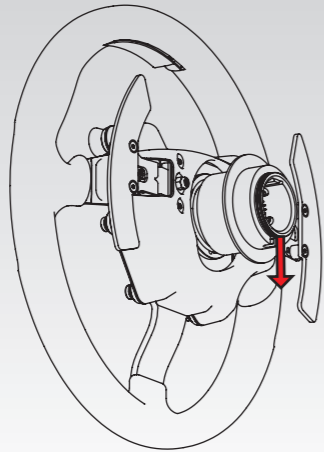


ATTACHING THE RIM

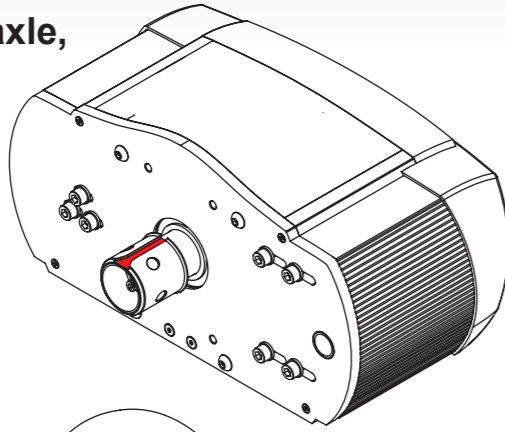


Make sure the newest CSW Base firmware file has been downloaded. You can obtain it at Fanatec's website (www.fanatec.com) in the download section.

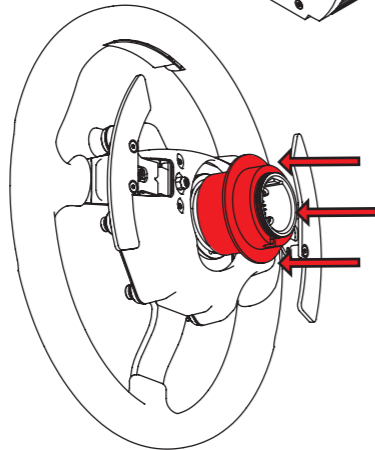
- Remove storage pin



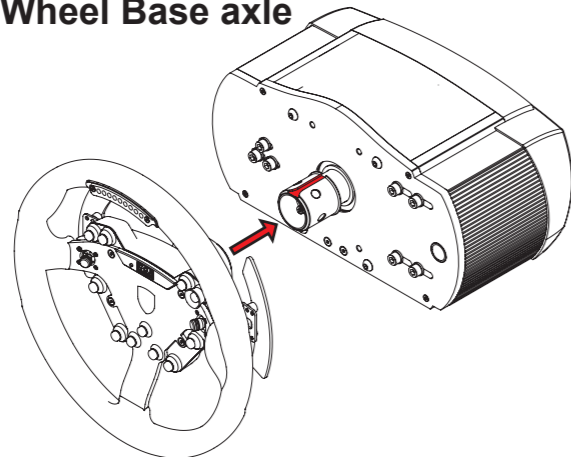
- Align ClubSport Wheel Base axle, to correct position



- Press together or "pinch" and hold Quick Release mechanism



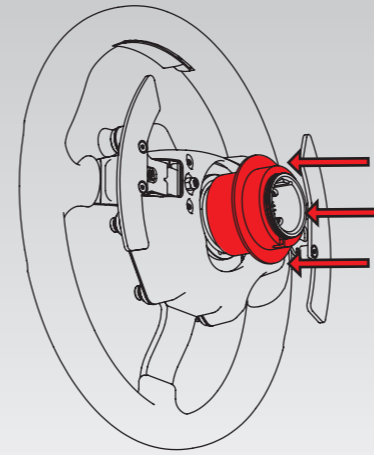
- Slide Rim onto ClubSport Wheel Base axle



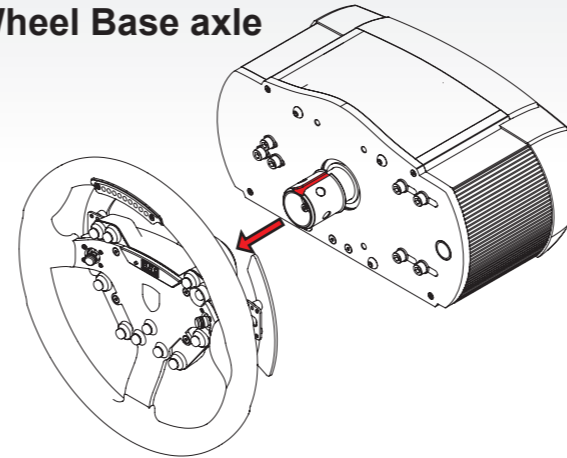
- Now release the sleeve of the Quick Release mechanism

DETACHING THE RIM

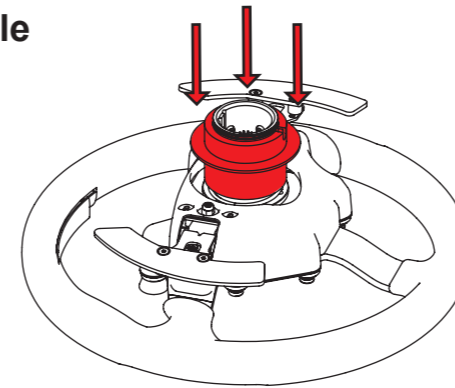
- Pinch and hold Quick Release mechanism



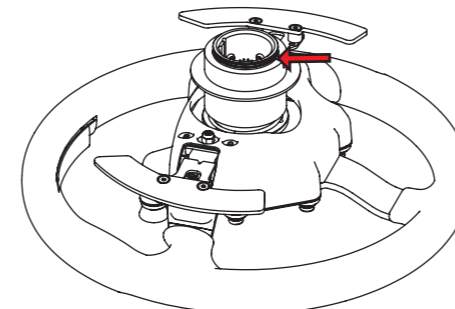
- Slide Rim off ClubSport Wheel Base axle



- Place Rim face down on table

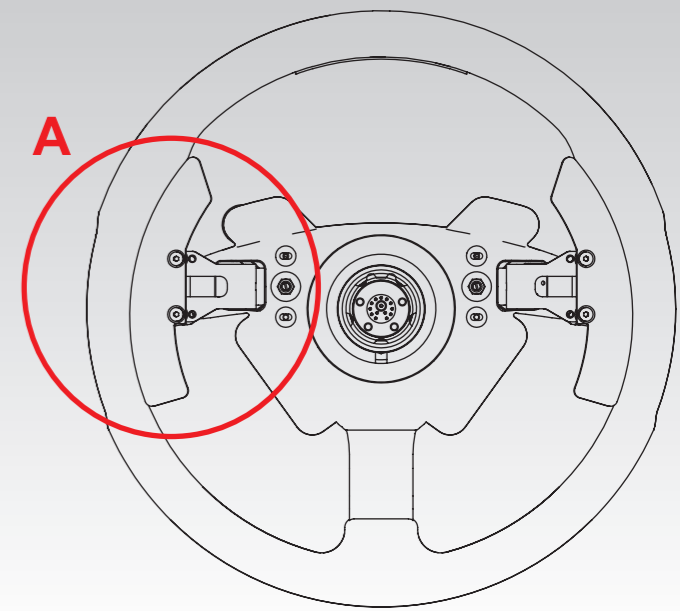


- Insert storage pin



- Now release the sleeve of the Quick Release mechanism

SHIFTER PADDLE OPTIONS



Detail A

